

*Magnetically Coupled Linear Servo-Drive Mechanism*

Inventor: Thomas M. Pratt, et al.

Attorney Docket No.: 50544.00010 NVLS 432

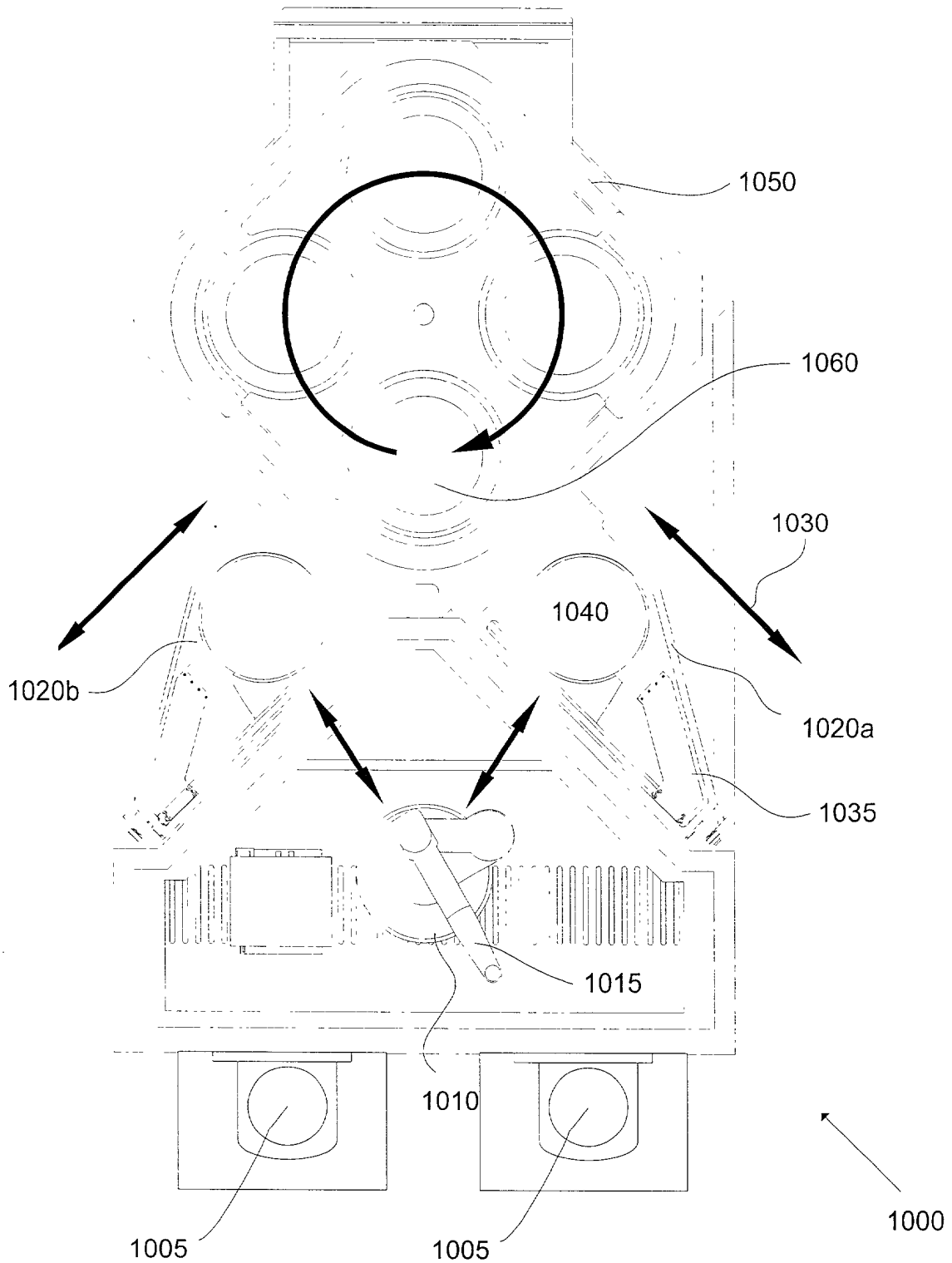


Figure 1

Magnetically Coupled Linear Servo-Drive Mechanism

Inventor: Thomas M. Pratt, et al.

Attorney Docket No.: 50544.00010 NVLS 432

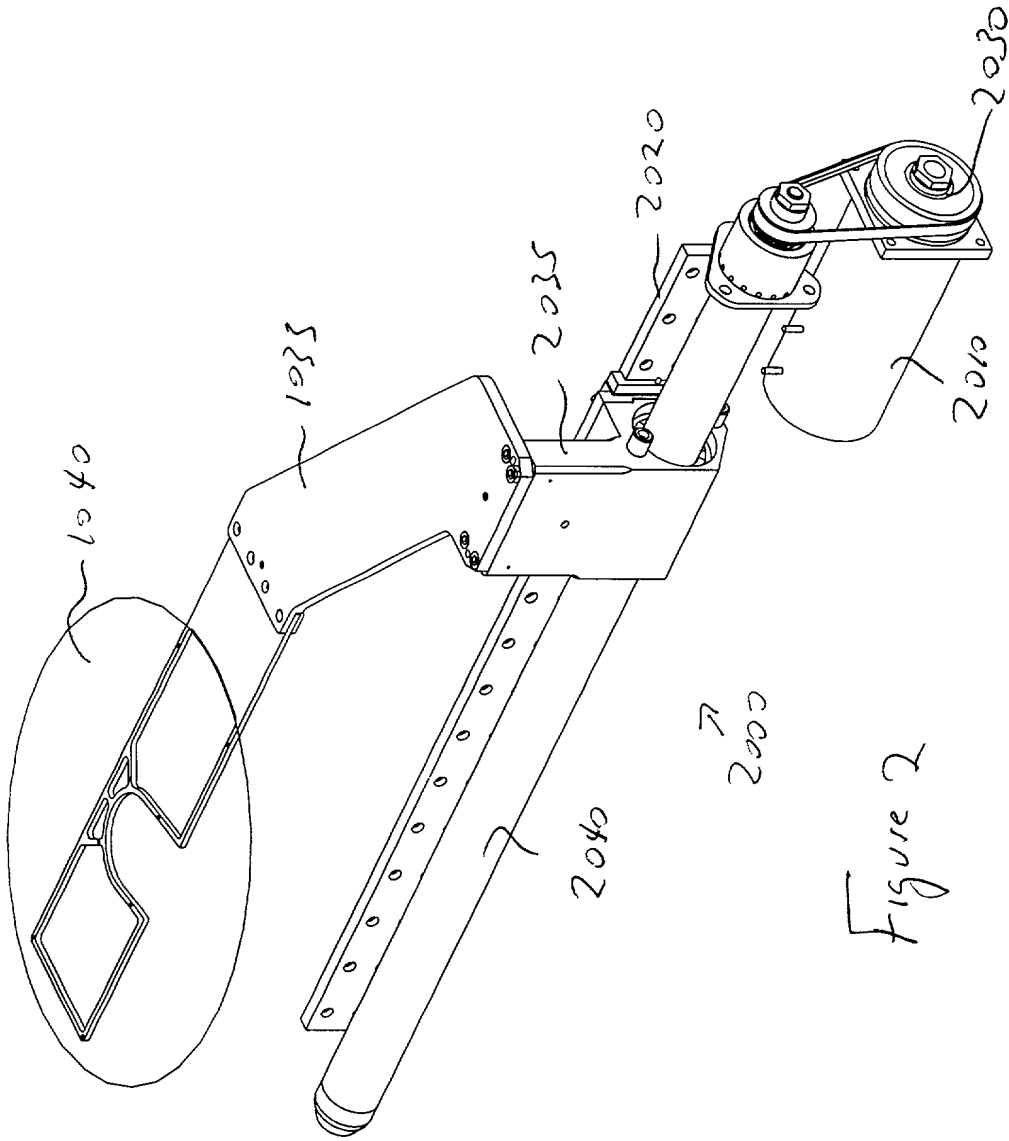


Figure 2

FIG. 2

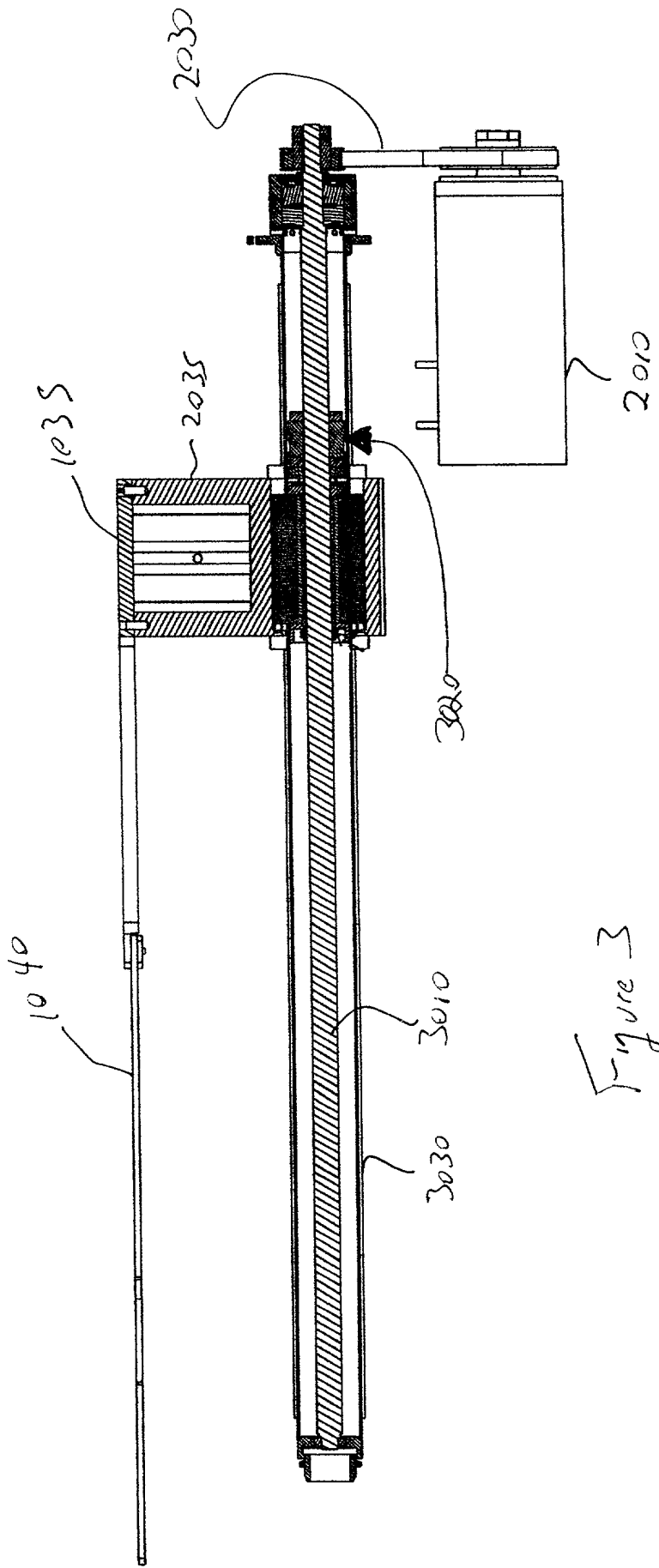


Figure 3

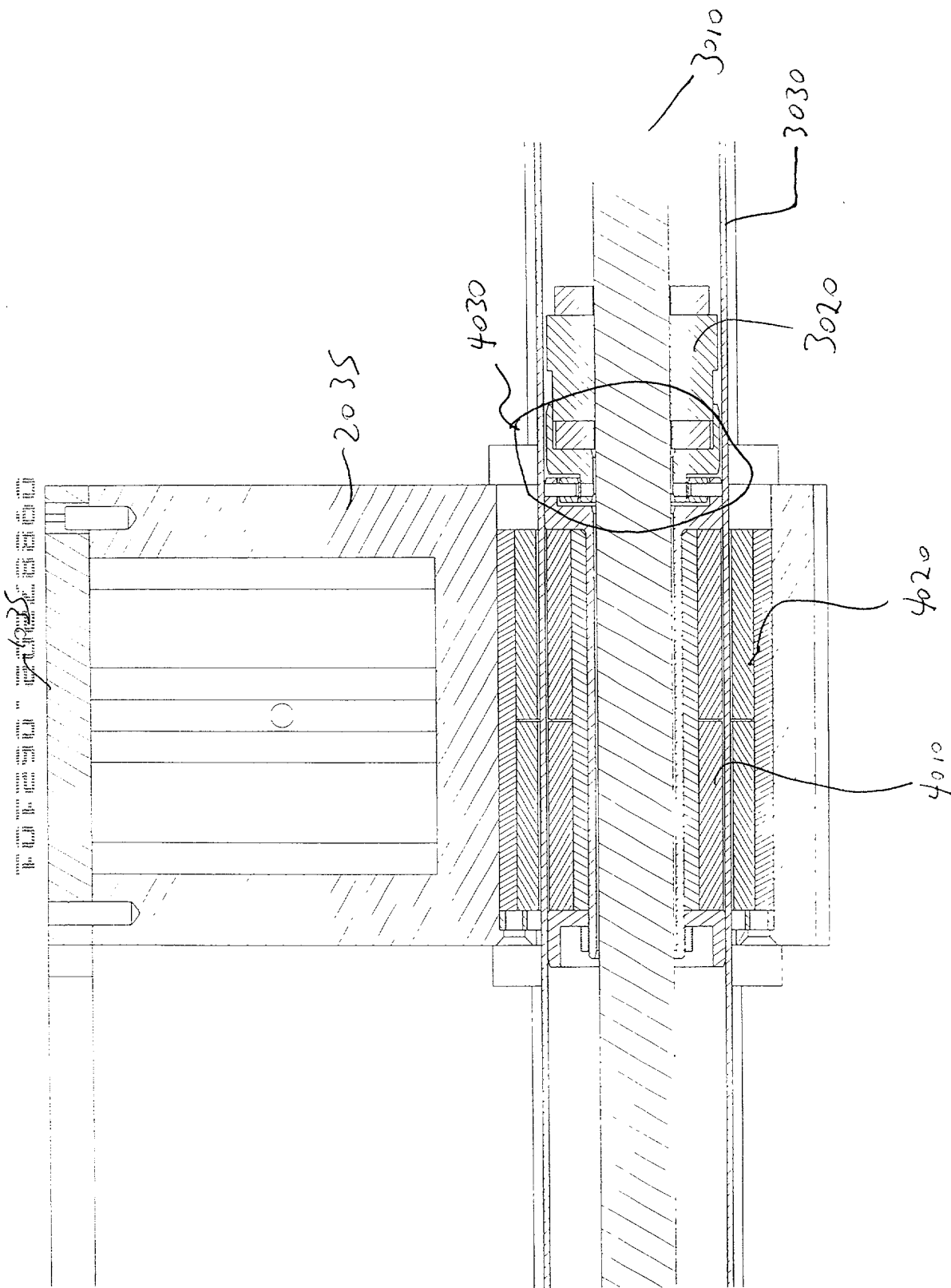


Figure 4

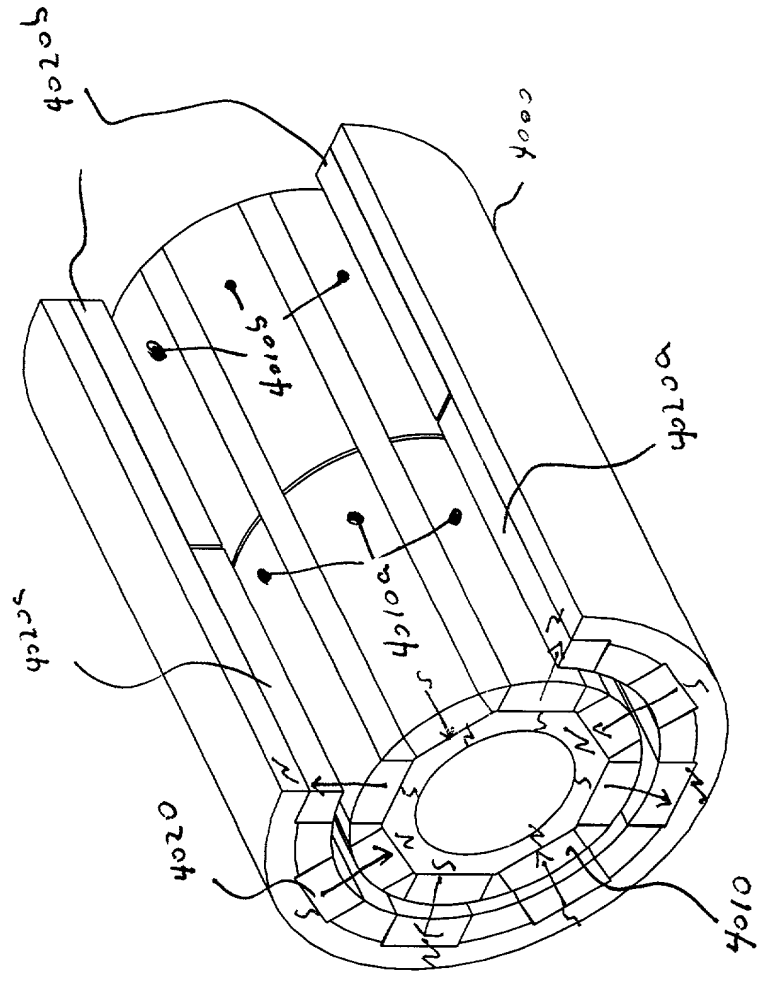


Figure 5

FIG. 5 is a perspective view of the magnetically coupled linear servo-drive mechanism.

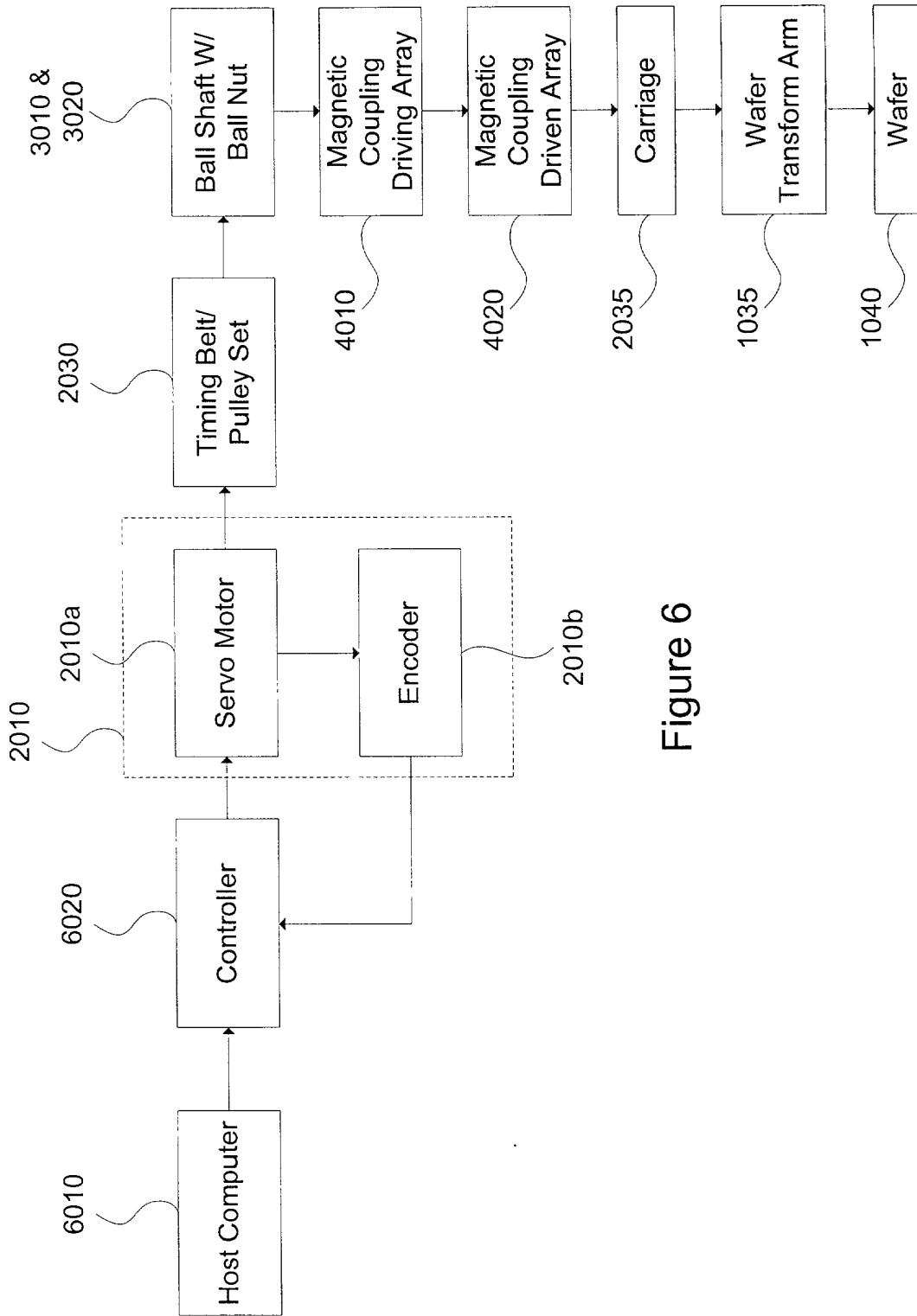


Figure 6

*Magnetically Coupled Linear Servo-Drive Mechanism*

Inventor: Thomas M. Pratt, et al.

Attorney Docket No.: 50544.00010 NVLS 432

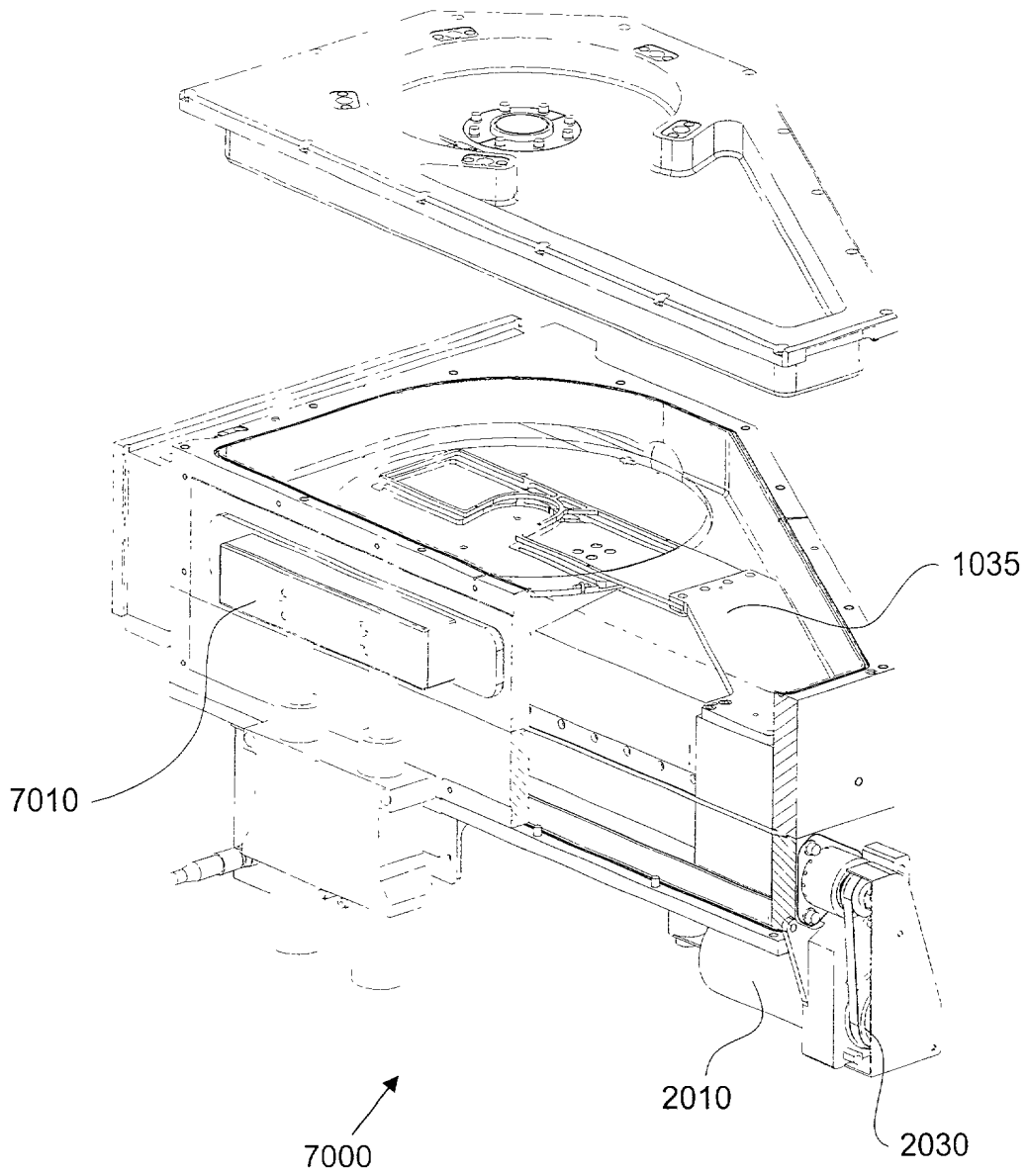


Figure 7